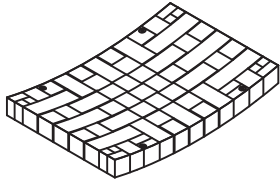
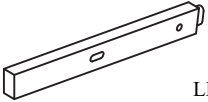
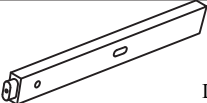
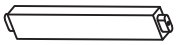







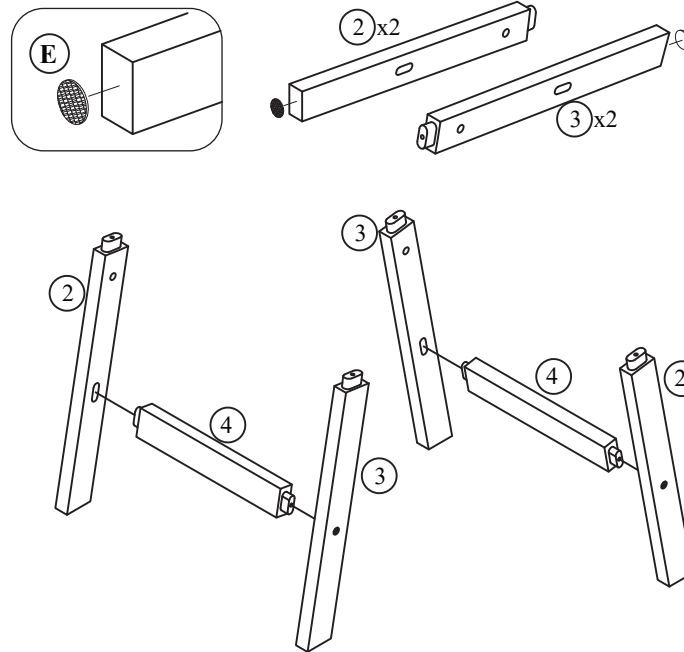
ASSEMBLY INSTRUCTION

ITEM : Oak/Nylon-Bench

NO.	PARTLIST	QTY
1	 TOP OF BENCH	1PC
2	 LEG	2PCS
3	 LEG	2PCS
4	 SUPPORT RAIL	2PCS
NO.	HARDWARE	QTY
A	 BOLT M6 X 80	4PCS
B	 NUT	4PCS
C	 ALLEN KEY	1PC
D	 SCREW M7 X 50	4PCS
E	 FELT MA	4PCS

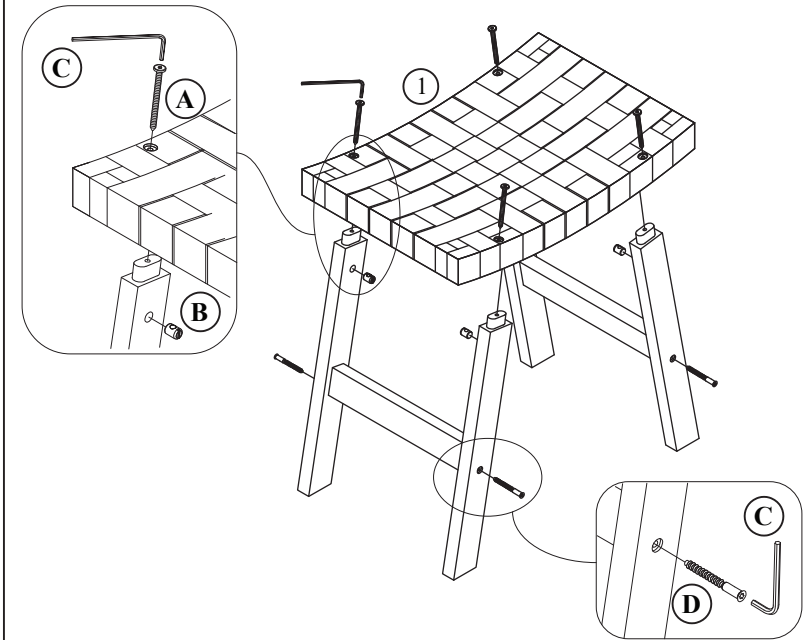
STEP 1

Add felt pad (E) on leg bottom (2) &(3), insert side rail (4) into leg (2)&(3).

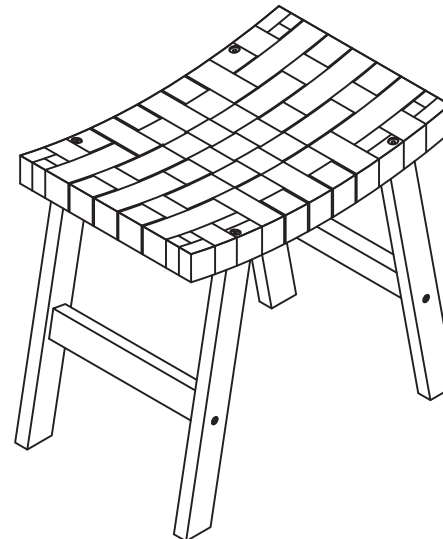


STEP 2

Fix leg (2)&(3) and side rail (4) by screw (D) and Allen key (C); screw bench seat (1) with leg by bolt (A) and Allen key (C). Screw leg by nut (B).



STEP 3



ASSEMBLY COMPLETED

NOTE : AFTER A FEW DAYS OF ASSEMBLY. IT WILL HAVE ACCLIMATIZED TO THE ENVIRONMENT. PLEASE TIGHTEN ALL HARDWARE.CHECK TIGHTNESS OF ALL SCREWS EVERY 6 - 8 WEEKS.